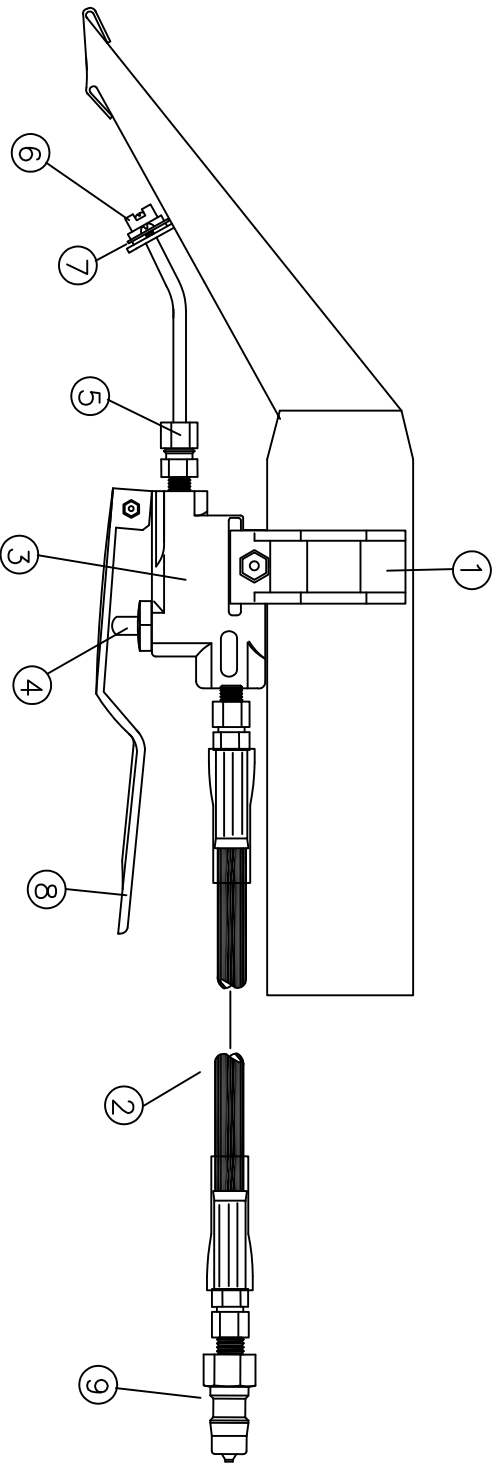


**DETAIL TOOL 4" - 400PSI  
( 255-040 )**



PART NO.	<b>255-040</b>
DATE	DEC, 14, 2004
VERSION	01

## DETAILER TOOL COMPACT 4" (255-040)

REF	PART NO.	DESCRIPTION	NOTES:
1	538-212	Valve Hanger	
2	255-300	12" Whip Line	
3	535-105	Valve ASSY	
4	538-025	Valve Repair kit	
5	555-109	1/8" x 3/16" Comp Fitting	
6	562-101	Tee Jet 11003	
7	564-250	Jet Retainer Plate & Hardware	
8	566-020	Handle Detailer	
9	580-015	Q.C 1/4 Male (close)	